



AHL-LIGHT 10

LED WORK LIGHT

AHL-LIGHT 10 can be used with robots and manipulators, or attached to tools for inspection. With a color temperature similar to traditional halogen light, but with a significantly longer lifetime, it has many suitable applications.

APPLICATIONS

- Attached to tools, robots and manipulators etc. when working with internal parts and fuel assemblies in reactor and fuel pools.
- Designed for tool attachment when working with internal parts and fuel assemblies in reactor- and fuel pools.
- Ideal at inspection works such as 4-face fuel inspection
- Powered by a camera control unit or a lighting power unit

BENEFITS

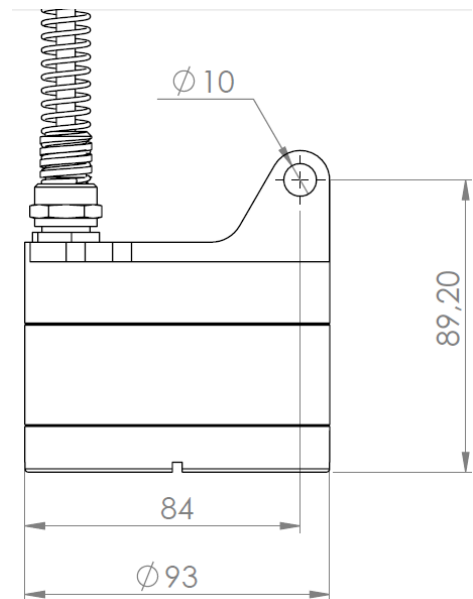
- 9 000 lumen light output
- Color temperature suitable for inspections
- Low maintenance cost due to its long life-time

SPECIFICATIONS

Diameter	93 mm (3,7")
Height	95 mm (3,7")
Weight	1,0 kg (2,3 lbs)
Housing material	Stainless steel EN 1.4301, AISI 304/AISI 316
Front glass material	Polycarbonate
Maximum temperature	50°C, 70°C for short periods (122°F, 158°F)
Water tightness	min 6 bar (60 m)
Lights	LED
Typical luminous flux	9 000 lumen
Lighting beam angle	64°
Life time	>50 000 h
Radiation tolerance (total dose)	50 000 Gy (5 000 000 rad)

We reserve the right to alter specifications without prior notice

AHL-LIGHT 10 IMAGES



LINKS

 English

ahlbergcameras.staging.westart.se/products/lights/ahl-light-10

We reserve the right to alter specifications without prior notice