



# AHL-LIGHT 35

## LED WORK LIGHT

AHL-LIGHT 35 is a robust underwater LED working light. It can be hung from its cable and used as mobile light or it can be fitted to a bracket and used as permanent light.

### APPLICATIONS

- Underwater nuclear working light
- Ideal for work in reactor and fuel pools
- Works together with a separate power supply unit
- The light is delivered with the same type of power supply unit as the AHL-LIGHT 70. This is placed either in air (on the railing or on the wall) or is placed underwater

### BENEFITS

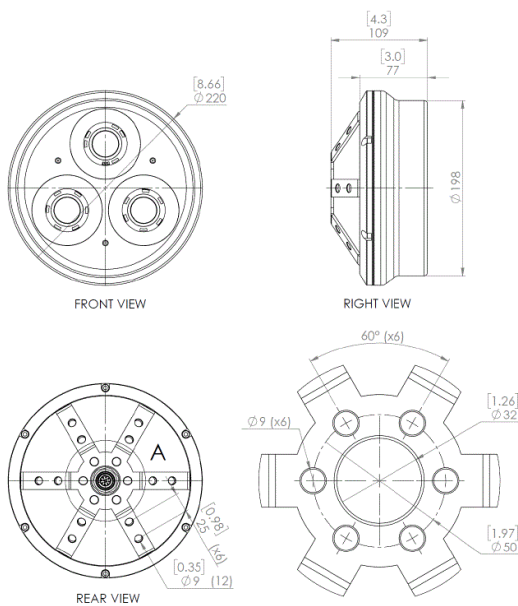
- Low maintenance costs due to its long life-time
- 28 000 lumen light output
- Overheating protection at unintended use in air
- FME approved design - no loose parts can enter the pool water
- Power supply can be placed in air or underwater

### SPECIFICATIONS

Diameter	220 mm (8,7")
Height	109 mm (4,3")
Weight	4,5 kg (9,9 lbs)
Housing material	Stainless steel EN 1.4301, AISI 304/AISI 316
Front glass material	Polycarbonate
Maximum temperature	60°C, 70°C for short periods (140°F, 158°F)
Water tightness	min 3 bar (30 m)
Lights	LED 100-240 VAC, 50/60 HZ, 240 W
Typical luminous flux	27 000 lumen
Lighting angle	64°
Life time	>50 000 h
Radiation tolerance (total dose)	50 000 Gy (5 000 000 rad)

*We reserve the right to alter specifications without prior notice*

## AHL-LIGHT 35 IMAGES



## LINKS

 English

[ahlbergcameras.staging.westart.se/products/lights/ahl-light-35](http://ahlbergcameras.staging.westart.se/products/lights/ahl-light-35)

*We reserve the right to alter specifications without prior notice*