

AHL-LIGHT 70

LED POND LIGHT

AHL-LIGHT 70 is a robust LED pond light. It is used for powerful illumination of nuclear underwater work areas and fuel pools. Optimized reflector design increases the light output and ensures an even light distribution. The LED technology allows long-term operation and greatly reduced maintenance work compared to ordinary halogen lights.

APPLICATIONS

- Underwater nuclear pond light
- Ideal for work in reactor and fuel pools
- The light is delivered with a power supply that is placed either in air (on the railing or on the wall) or is placed underwater

BENEFITS

- 56 000 lumen light output
- Low maintenance costs due to its long life-time
- Overheating protection at unintended use in air
- FME approved design - no loose parts can enter the pool water
- Power supply can be placed in air or underwater

SPECIFICATIONS

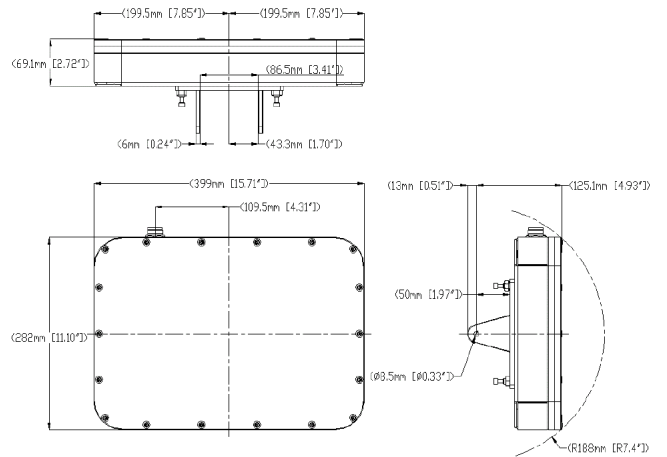
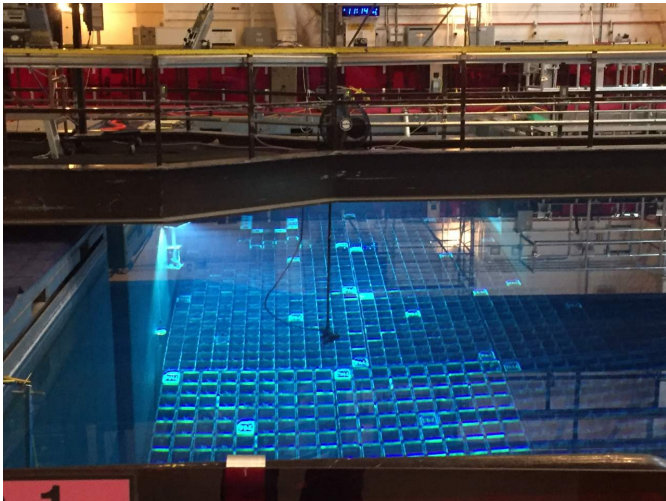
Length	422 mm (16,62")
Width	282 mm (11,11")
Height	106 mm (4,18")
Weight	12,2 kg (26,8 lbs)
Housing material	Stainless steel EN 1.4301/EN 1.4436, AISI 304/AISI 316
Front glass material	Hard coated polycarbonate
Maximum temperature	60°C, 70°C for short periods (140°F, 158°F)
Water tightness	3 bar (30 m)
Lights	LED 100-240 VAC, 50/60 HZ, 480 W
Typical luminous flux	54 000 lumen
Lighting angle	64° x 64°
Life time	>50 000 h
Radiation tolerance (total dose)	50 000 Gy (5 000 000 rad)

UNDERWATER POWER SUPPLY


Diameter	154 mm (6,06")
Length	~400 mm (~15,75")
Material	Stainless steel

We reserve the right to alter specifications without prior notice

AHL-LIGHT 70 IMAGES



LINKS

 English

ahlbergcameras.staging.westart.se/products/lights/ahl-light-70

We reserve the right to alter specifications without prior notice