

AHL-PS, underwater version

POWER SUPPLY FOR AHL-LIGHT 70, 35 AND 15

AHL-PS is the power supply for AHL-LIGHT 70, AHL-LIGHT 35 and AHL-LIGHT 15. The power supply is connected to the power network on site and powers the AHL-LIGHT via a camera cable.

APPLICATIONS

- Power supply for AHL-LIGHT 70, 35 and 15

BENEFITS

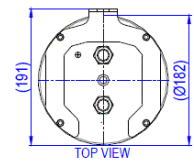
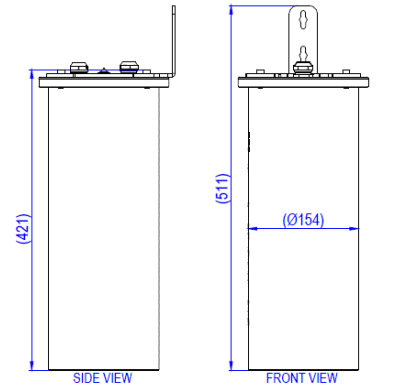
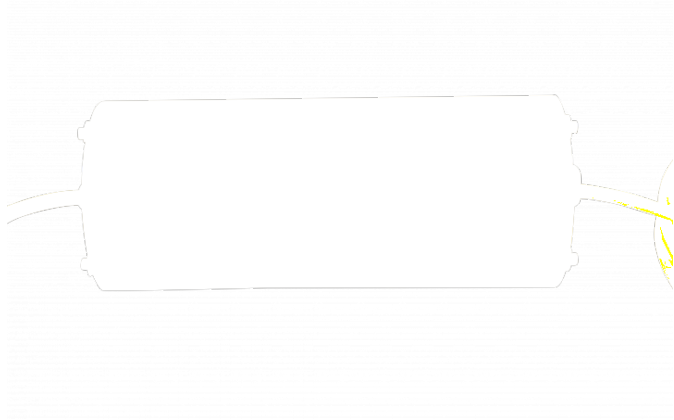
- FME approved design - no loose parts can enter the pool water

SPECIFICATIONS


Length	421 mm (16,6")
Diameter	154 mm (6,1")
Housing material	Stainless steel EN 1.4301
Weight	12,0 kg (27 lbs)
Water tightness	3,5 bar (35m)
Input voltage	100-240 VAC, 50-60 Hz
Power consumption	600 W max

We reserve the right to alter specifications without prior notice

AHL-PS, UNDERWATER VERSION IMAGES



LINKS

 English

ahlbergcameras.staging.westart.se/products/lights/ahl-ps-underwater-version

We reserve the right to alter specifications without prior notice