



CCTV LED 5

POWERFUL CCTV LED LIGHT

CCTV LED 5 is a robust radiation tolerant CCTV LED light unit with high power illumination. The unit is equipped with brand new LED technology giving 5 000 Lumen.

APPLICATIONS

- For nuclear CCTV applications where high illumination is needed and/or the objects are far away from the camera

BENEFITS

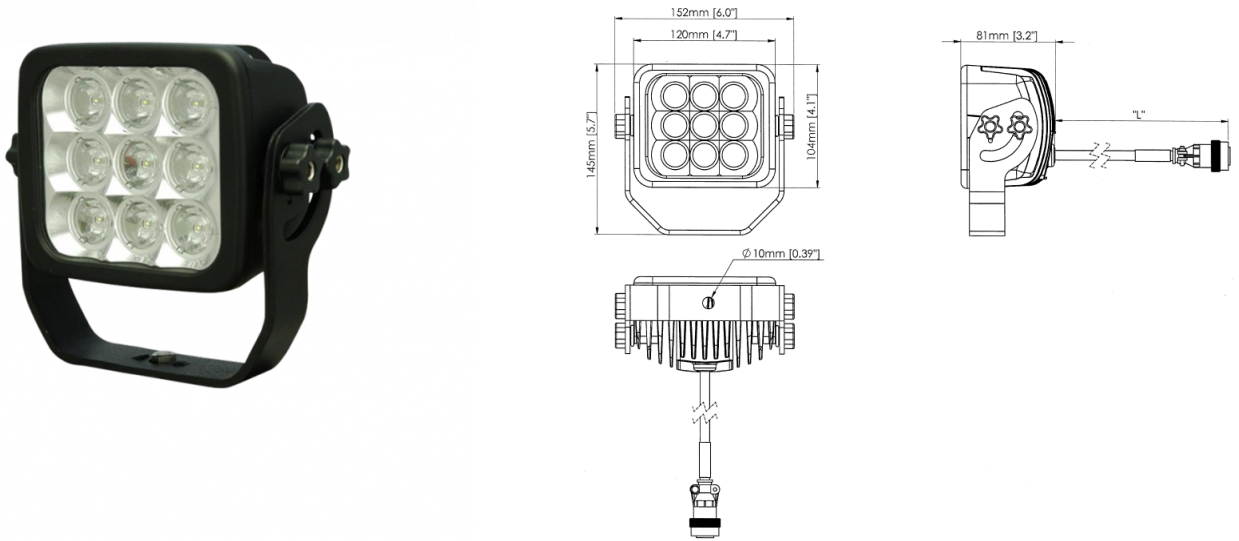
- High radiation tolerance
- Powerful illumination and intensity
- 50 000 hours lifetime
- Its cable is halogen free and flame retardant

SPECIFICATIONS


Dimensions (L*W*H)	80x120x105 mm (3,1"x4,7"x4,1")
Weight	1,4 kg (3,1 lbs)
Housing material	Painted aluminum
Maximum temperature	60°C (142°F)
Protection class	IP65
Typical luminous flux	5 000 lumen
Power consumption	45 Watt
Life time	50 000 hrs
Radiation tolerance (total dose)	100 000 Gy (10 000 000 rad)

We reserve the right to alter specifications without prior notice

CCTV LED 5 IMAGES



LINKS

 English

ahlbergcameras.staging.westart.se/products/lights/cctv-led-5

We reserve the right to alter specifications without prior notice