



CCU845

CCTV CAMERA POWER BOX

CCU845 is a CCTV power box used to power a CCTV camera and light. In contrast to the CCU890, the CCU845 is used when no settings such as pan, tilt, zoom, light on/off are to be made during operation. The power box comes with a preset box for initial settings.

APPLICATIONS

- Supplies power for a camera and lighting.
- Initial settings of zoom and light can be made with a preset box.

BENEFITS

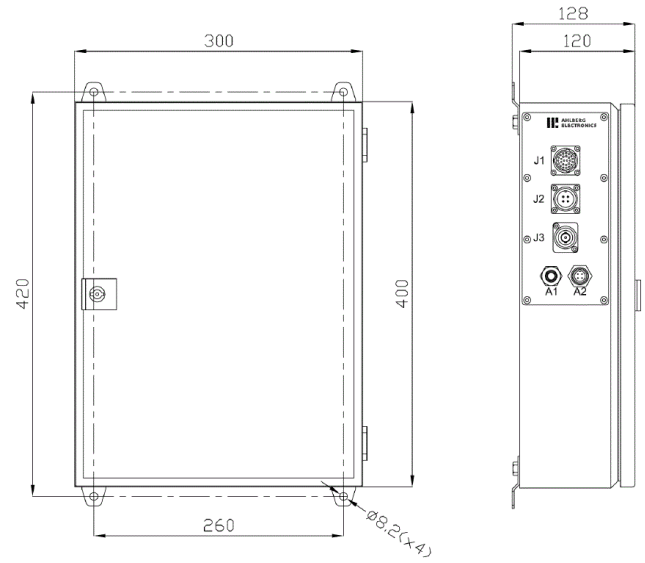
- Streamlined power box used when little operability is required.

SPECIFICATIONS


Dimensions (HxWxD)	120 x 400 x 300 mm (4,72"x15,76"x11,82")
Weight	10,1 kg (22,3 lbs)
Housing material	Grey-white Powder coated (painted) steel
Operating temperature max	40°C (104°F)
Protection class	IP65
Power supply	110, 120, 220, 230 or 240 VAC / 50-60 Hz
External lighting output	1 channel
Video outputs	Composite SD

We reserve the right to alter specifications without prior notice

CCU845 IMAGES



LINKS

 English

ahlbergcameras.staging.westart.se/products/control-units/ccu845

We reserve the right to alter specifications without prior notice