



Z71

HD ZOOM CAMERA

The Z71 is a radiation hardened HD zoom color camera. The camera features a low light sensitivity high resolution image with excellent color reproduction.

APPLICATIONS

- Designed for underwater use in high radiation areas
- Suitable camera when pan&tilt movements are not necessary

BENEFITS

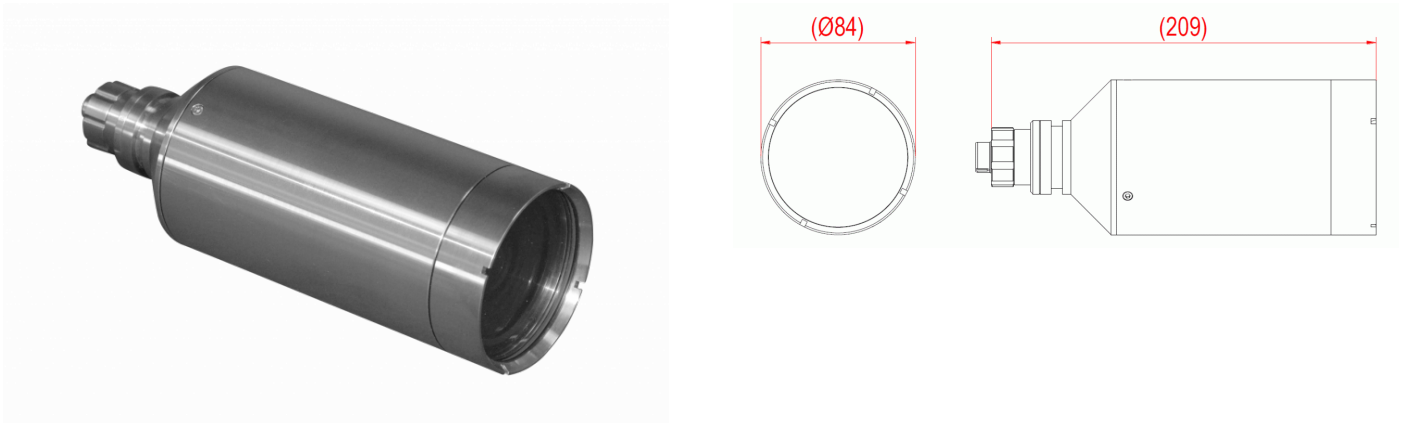
- Auto-focus and auto-iris
- Powerful optical zoom
- Easy maintenance
- Low light sensitivity
- Compatible with pan&tilt unit H85DC

SPECIFICATIONS


| | |
|----------------------------------|---|
| Diameter | 84 mm (3,31") |
| Length | 209 mm (8,2") |
| Weight | 1,2 kg (2,6 lbs) |
| Housing material | Stainless steel EN 1.4301 |
| Radiation tolerance (dose rate) | 500 Gy/h (50 000 rad/h) |
| Radiation tolerance (total dose) | 1 300 Gy (130 000 rad) |
| Maximum temperature | 50°C (short-term up to 70°C) 122°F (short-term up to 158°F) |
| Water tightness | min 3,5 bar, 50psi |
| Zoom | x10-x18 optical x4-x10 digital (depending on module choice) |
| Minimum distance to object | 5 mm (0,20") |
| SD horizontal angle of view | ~50° (wide end), ~5° (tele end) |
| Resolution SD version | 470-720 TV-lines |
| Resolution HD version | 720p |

We reserve the right to alter specifications without prior notice

Z71 IMAGES



LINKS

 English

ahlbergcameras.staging.westart.se/products/cameras/z71

We reserve the right to alter specifications without prior notice